

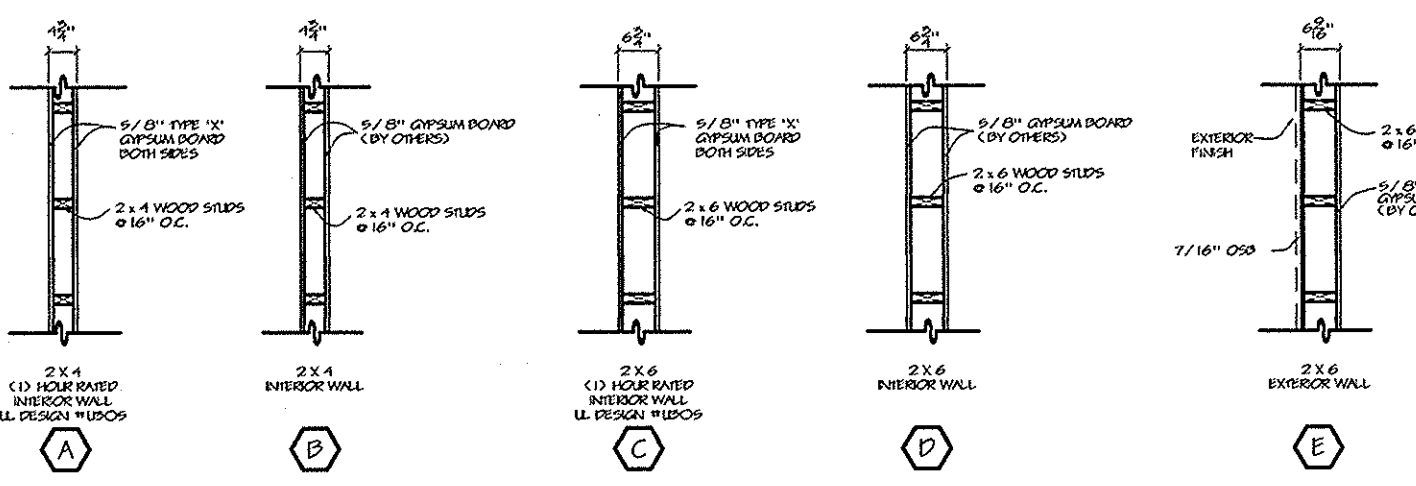
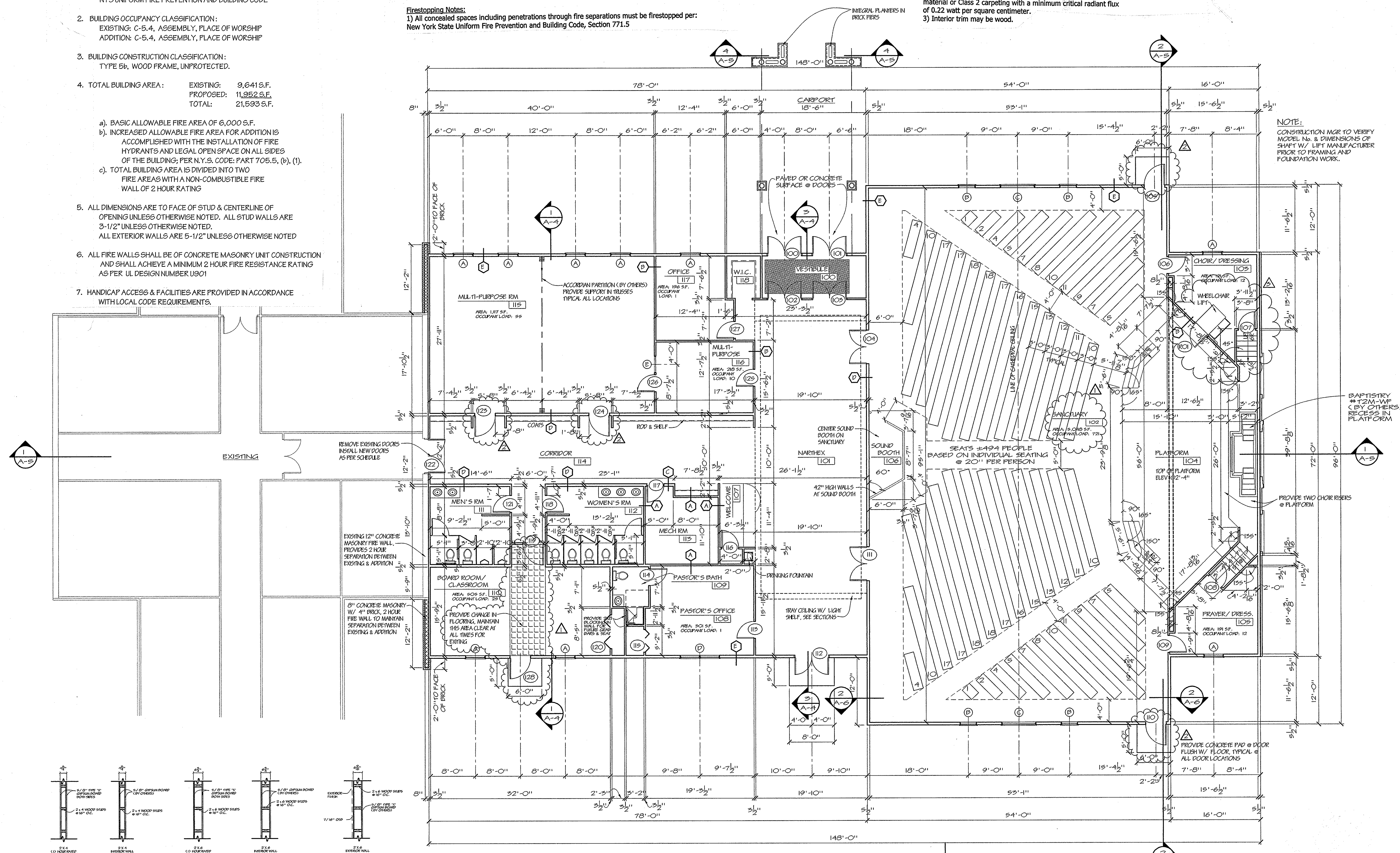
GENERAL NOTES (REVISED: 12-8-00)

- THIS BUILDING IS DESIGNED IN ACCORDANCE WITH THE NYS UNIFORM FIRE PREVENTION AND BUILDING CODE.
 - BUILDING OCCUPANCY CLASSIFICATION:**
 EXISTING: C-5.4, ASSEMBLY, PLACE OF WORSHIP
 ADDITION: C-5.4, ASSEMBLY, PLACE OF WORSHIP
 - BUILDING CONSTRUCTION CLASSIFICATION:**
 TYPE 5b, WOOD FRAME, UNPROTECTED.
 - TOTAL BUILDING AREA:**
 EXISTING: 9,641 S.F.
 PROPOSED: 11,952 S.F.
 TOTAL: 21,593 S.F.
- a). BASIC ALLOWABLE FIRE AREA OF 6,000 S.F.
 b). INCREASED ALLOWABLE FIRE AREA FOR ADDITION IS ACCOMPLISHED WITH THE INSTALLATION OF FIRE HYDRANTS AND LEGAL OPEN SPACE ON ALL SIDES OF THE BUILDING; PER N.Y.S. CODE: PART 705.5, (b), (1).
 c). TOTAL BUILDING AREA IS DIVIDED INTO TWO FIRE AREAS WITH A NON-COMBUSTIBLE FIRE WALL OF 2 HOUR RATING.
- ALL DIMENSIONS ARE TO FACE OF STUD & CENTERLINE OF OPENING UNLESS OTHERWISE NOTED. ALL STUD WALLS ARE 3-1/2" UNLESS OTHERWISE NOTED. ALL EXTERIOR WALLS ARE 5-1/2" UNLESS OTHERWISE NOTED.
 - ALL FIRE WALLS SHALL BE OF CONCRETE MASONRY UNIT CONSTRUCTION AND SHALL ACHIEVE A MINIMUM 2 HOUR FIRE RESISTANCE RATING AS PER UL DESIGN NUMBER U901.
 - HANDICAP ACCESS & FACILITIES ARE PROVIDED IN ACCORDANCE WITH LOCAL CODE REQUIREMENTS.

- Mechanical Room Notes:**
- Central heating furnaces are to be: Two-100,000 BTU rated, natural gas fueled furnaces rated at 90% fuel efficiency.
 - Hot-water heater is to be: One-40,000 BTU rated, natural gas fueled.
 - Mechanical room is *Low-Capacity* (less than 250,000 BTU).
 - Walls and ceiling are to be one-hour fire-resistant rated (UL Design #305).
- Firestopping Notes:**
- All concealed spaces including penetrations through fire separations must be firestopped per: New York State Uniform Fire Prevention and Building Code, Section 771.5.

- Finish Notes:**
- Per the New York State Uniform Fire Prevention and Building Code, Section 772:
- All rooms, exits and assembly spaces shall have walls and ceilings finished with Class B material with a maximum surface flame-spread rating of 75. Exception: assembly areas may have wainscoting of Class C material with a maximum surface flame-spread rating of 200.
 - Finished flooring in all rooms, exits and assembly spaces shall be wood or other combustible material or Class 2 carpeting with a minimum critical radiant flux of 0.22 watt per square centimeter.
 - Interior trim may be wood.

NOTE:
 CONSTRUCTION MGR TO VERIFY MODEL NO. & DIMENSIONS OF SHAFT W/ LIFT MANUFACTURER PRIOR TO FRAMING AND FOUNDATION WORK.



WALL TYPES
 SCALE: 3/8" = 1' 0"

FLOOR PLAN
 SCALE: 1/8" = 1' 0"

IMPORTANT NOTICE

THESE DRAWINGS ARE PROVIDED BY BARDEN AS A SERVICE TO THE CUSTOMER, ARE NOT TO BE CONSIDERED COMPLETE FOR FINAL COSTING OR CONSTRUCTION UNTIL ALL FEDERAL, STATE, OR LOCAL APPROVALS ARE GRANTED. THE RESPONSIBILITY OF SECURING THESE APPROVALS RESTS FULLY WITH THE CUSTOMER AND/OR THEIR CONTRACTOR.

REVISIONS	DATE	DESCRIPTION
1	9-30-99	ADD EXIT @ BRD RM. & MISC REVISIONS
2	11-19-99	REVISE DOOR # 15, 119, 123, 124, 128 CONCRETE PADS, WALL TYPES
3	12/6/00	REVISE STAIR TO BAPTISTRY, INSTALL W/C LIFT, ADD DOOR #101
4	12/8/00	REVISED GENERAL NOTES TO INDICATE FIRE AREA INCREASE

COPYRIGHT BARDEN & ROBESON CORP. 1999
 NOTICE: THIS SET OF PLANS IS THE PROPERTY OF BARDEN & ROBESON CORP. AND MAY NOT BE USED FOR BUILDING UNLESS A PROPER CONTRACT HAS BEEN EXECUTED FOR THE PURCHASE OF MATERIALS TO COMPLETE THE DESIGN FROM BARDEN & ROBESON CORP.



PROJECT TITLE:
 CREEKSIDE GOSPEL TEMPLE

PROJECT LOCATION:
 2526 TONAWANDA CREEK ROAD
 AMHERST, NY

DEALER:
 REVIVAL DEVELOPMENT
 800 FULLY

SHEET:
 FLOOR PLAN

DATE: 7-9-99
SCALE: AS SHOWN
DRAWN BY: CAM

PROJECT NO.:
 1027.98

DRAWING NO.:
 A-2

SHEET: 3 OF 12