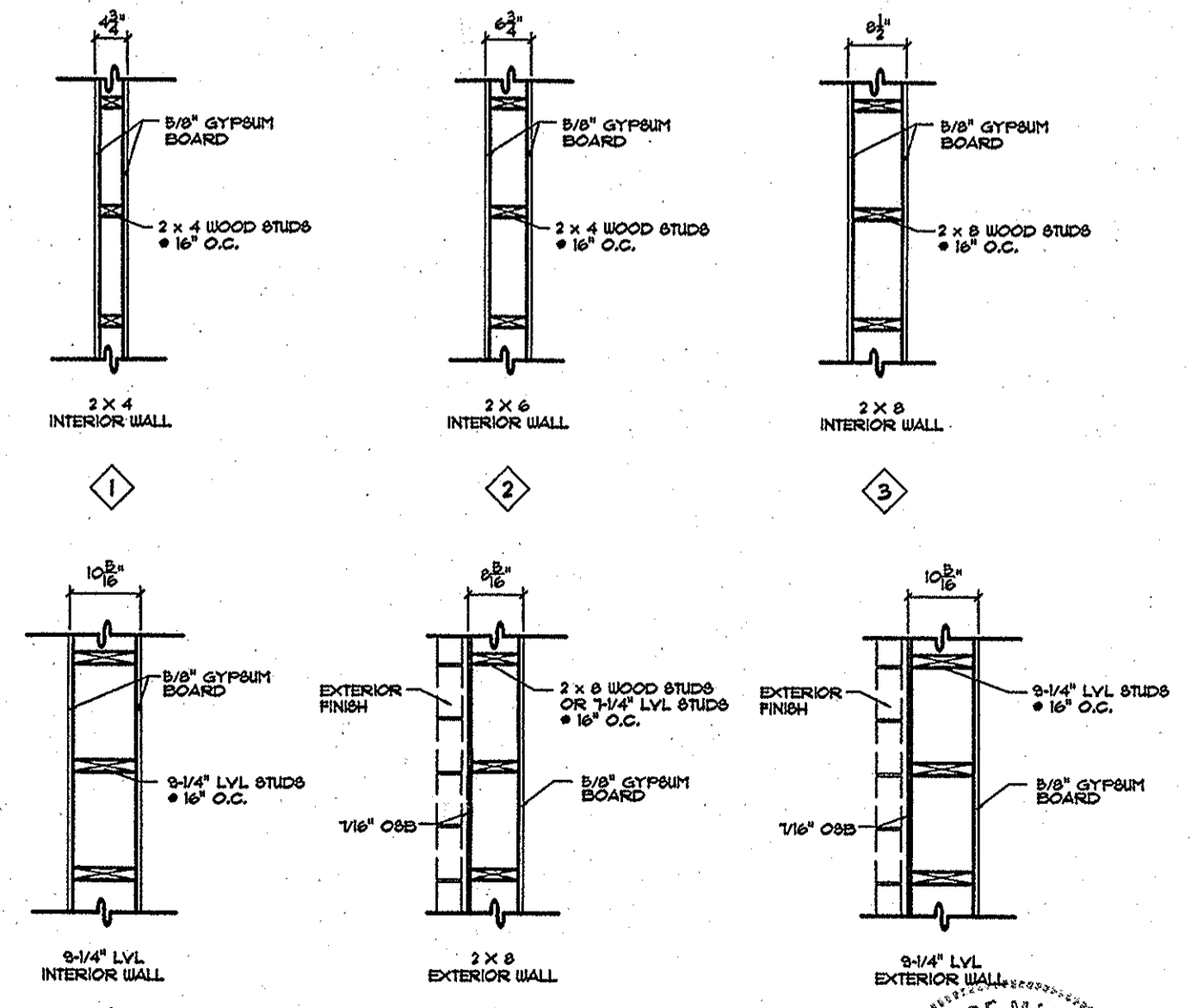


**FLOOR PLAN**  
 SCALE: 1/8" = 1'-0"

NOTE:  
 - VERIFY ALL WINDOW SIZES AND ROUGH OPENINGS  
 PRIOR TO PRODUCTION OF WALL FRAMING. SUBMIT  
 LIST OF WINDOWS KEYED TO FLOORPLAN TO BARDEN  
 ENGINEERING.

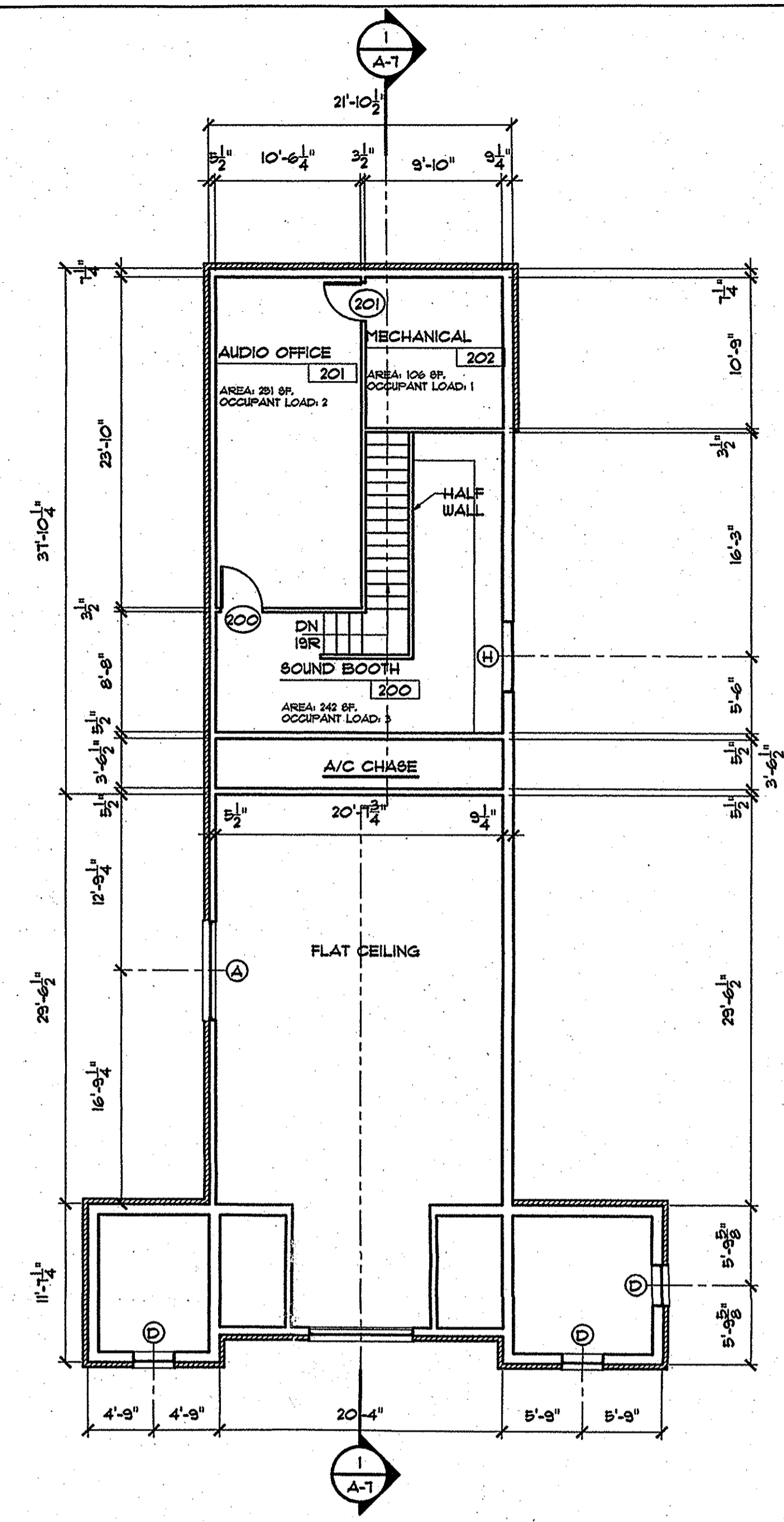
**MEZZANINE PLAN**

SCALE: 1/8" = 1'-0"



**WALL TYPES**

SCALE: 1/2" = 1'-0"



REVISIONS:	NUMBER	DESCRIPTION	DATE	INITIALS
1		ADJUSTED FLOOR HEIGHT OF PROPOSED	4/29/05	CMC

COPYRIGHT BARDEN & KORSICORP. 2004  
 NOTICE: THIS SET OF PLANS AND THE DESIGN CONTAINED HEREIN IS THE  
 PROPERTY OF BARDEN & KORSICORP. AND MAY NOT BE REPRODUCED FOR  
 BUILDING UNLESS A PROPER CONTRACT HAS BEEN ENTERED INTO FOR THE  
 PURCHASE OF MATERIALS TO COMPLETE THE DESIGN FROM BARDEN &  
 KORSICORP. THE DESIGN SHALL NOT BE USED FOR ANY OTHER  
 PURPOSES WITHOUT THE EXPRESS WRITTEN PERMISSION OF THE BARDEN &  
 KORSICORP.

**IMPORTANT NOTICE**  
 THESE DRAWINGS ARE PROVIDED BY BARDEN CHURCH BUILDING SERVICES  
 AS A SERVICE TO THE CLIENT AND ARE NOT TO BE CONSIDERED COMPLETE  
 FOR FINAL COSTING OR CONSTRUCTION UNTIL ALL FEDERAL, STATE, OR  
 LOCAL APPROVALS ARE OBTAINED. THE RESPONSIBILITY OF SECURING  
 THESE APPROVALS RESTS FULLY WITH THE CLIENT AND/OR THEIR  
 CONTRACTOR.

INDEPENDENT DEALER / CONSTRUCTION MANAGER:  
**PROBUILT LLC**  
 KENYARGA /  
 DAVE HORVAT

DATE	SCALE	DRAWN BY
2/18/05	AS SHOWN	CMC

CLIENT PROJECT TITLE <b>WAUGH UNITED METHODIST CHURCH ADDITION TO EXISTING</b>	PROJECT LOCATION <b>CAMBRIDGE, MD</b>	DRAWN BY <b>FLOOR PLAN, MEZZANINE PLAN, WALL TYPES</b>



P.O. Box 310 middleport, new york 14105  
 800-724-0141 • fax 716-735-3752 • 716-735-3752

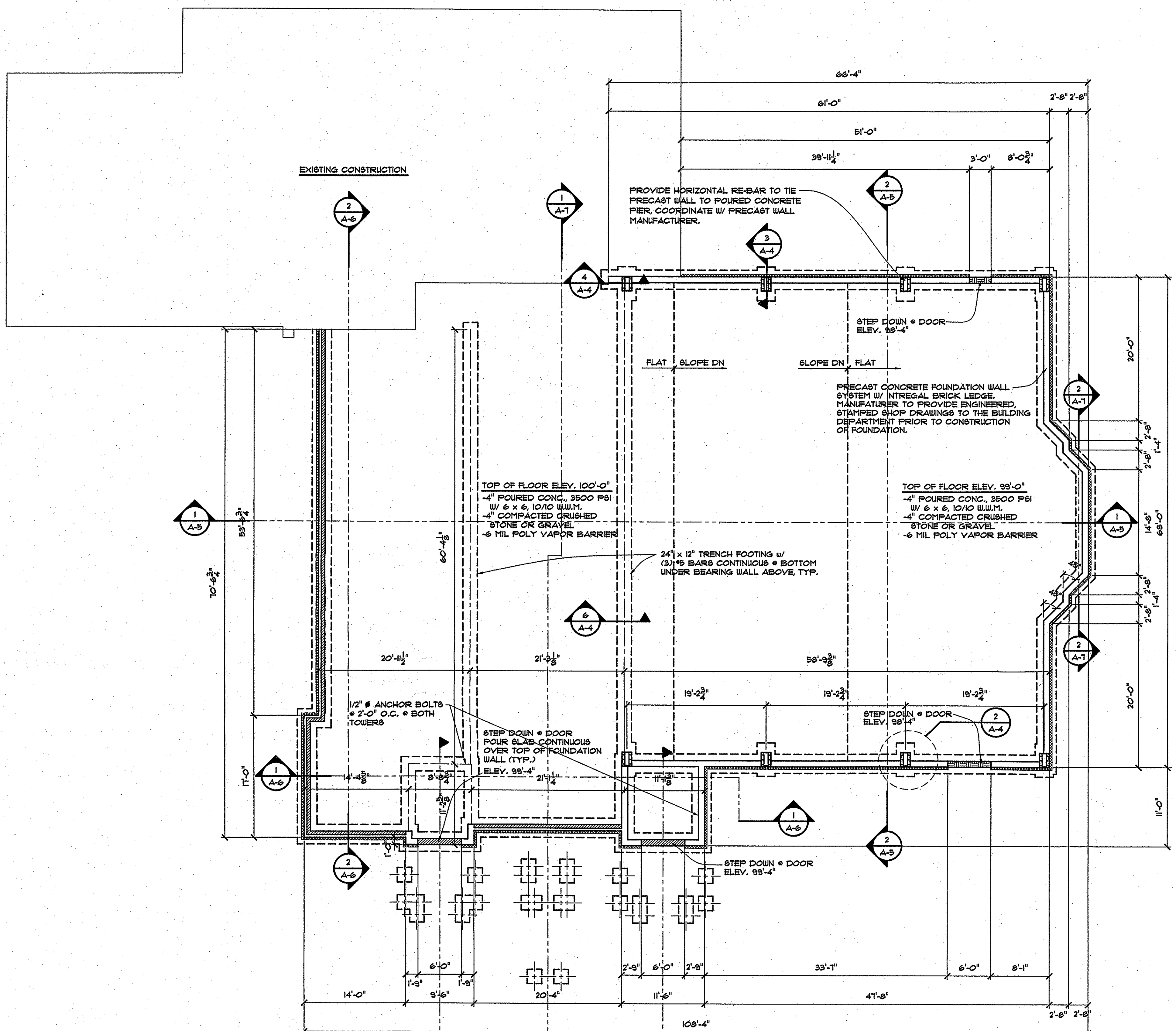
PROJECT NO:  
**2031.03**

PROCESSING NO: 50692  
 DWG NO:

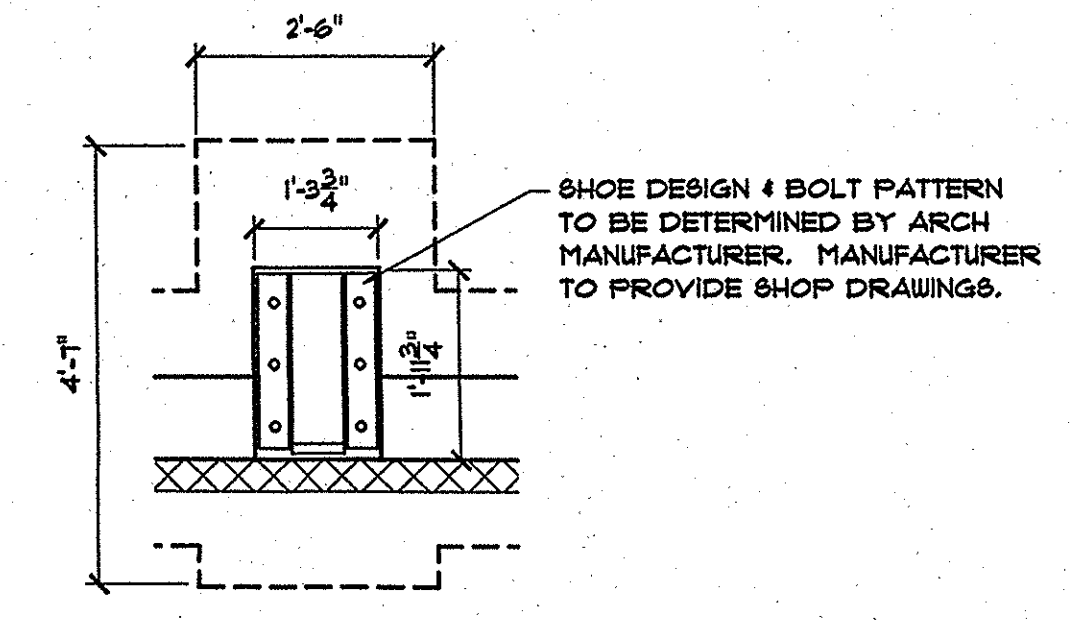
**A-3**  
 SHEET 4 OF 11



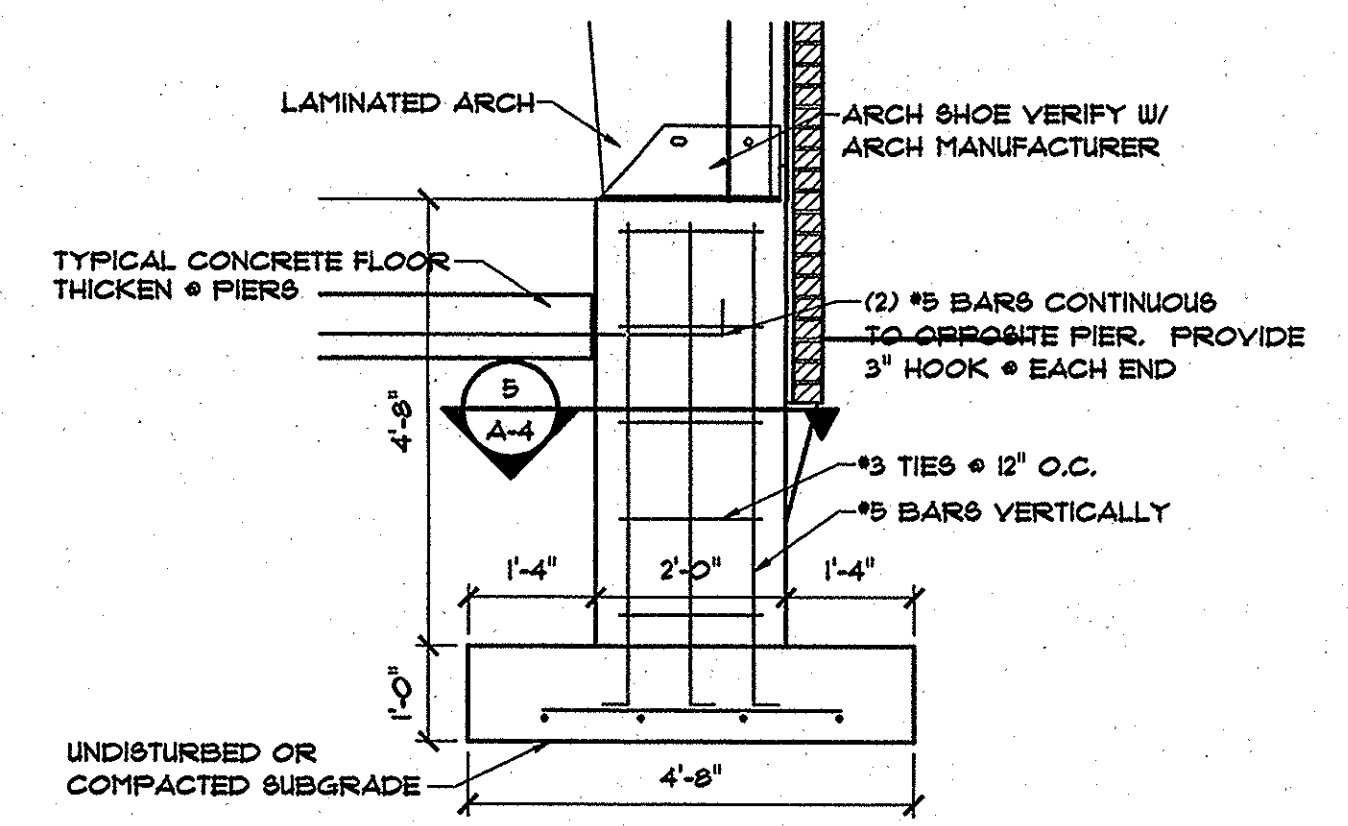
Handwritten signature and date: *JR* 5-2-06



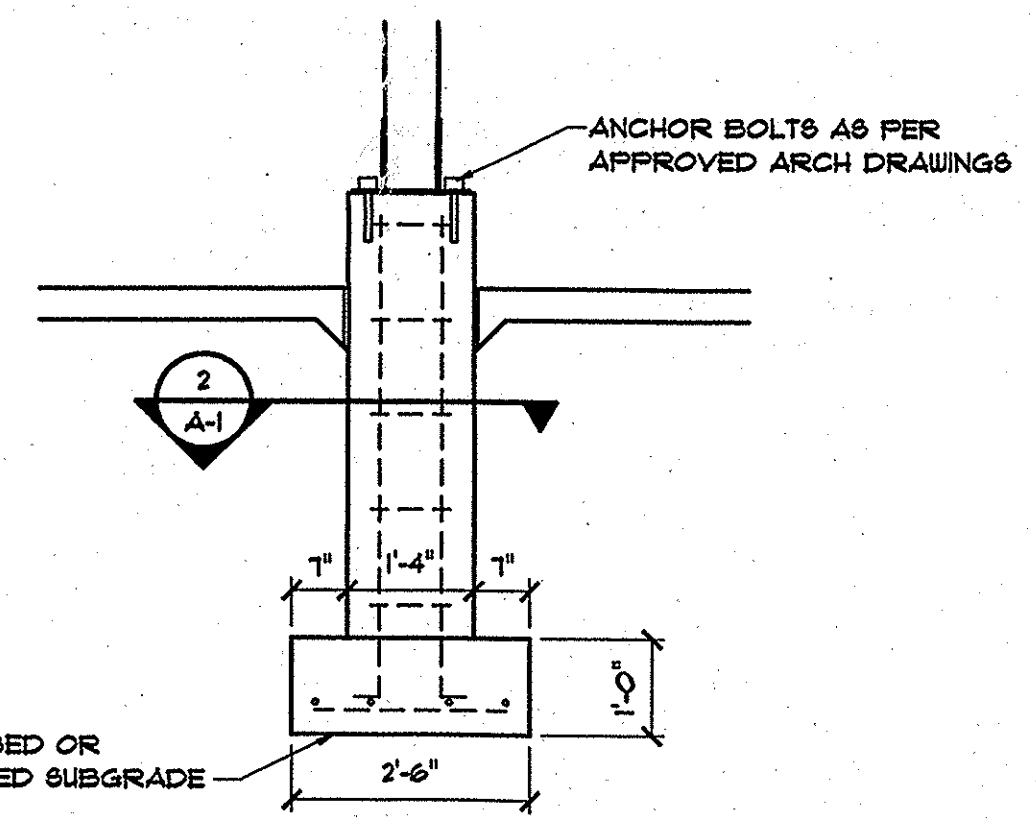
**FOUNDATION PLAN**  
 SCALE: 1/8" = 1'-0"



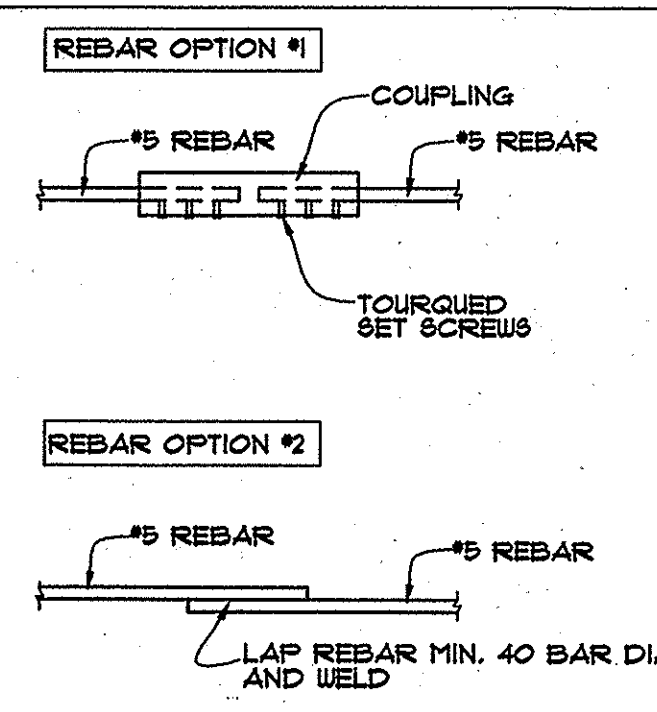
**DETAIL 2**  
 SCALE: 1/2" = 1'-0"



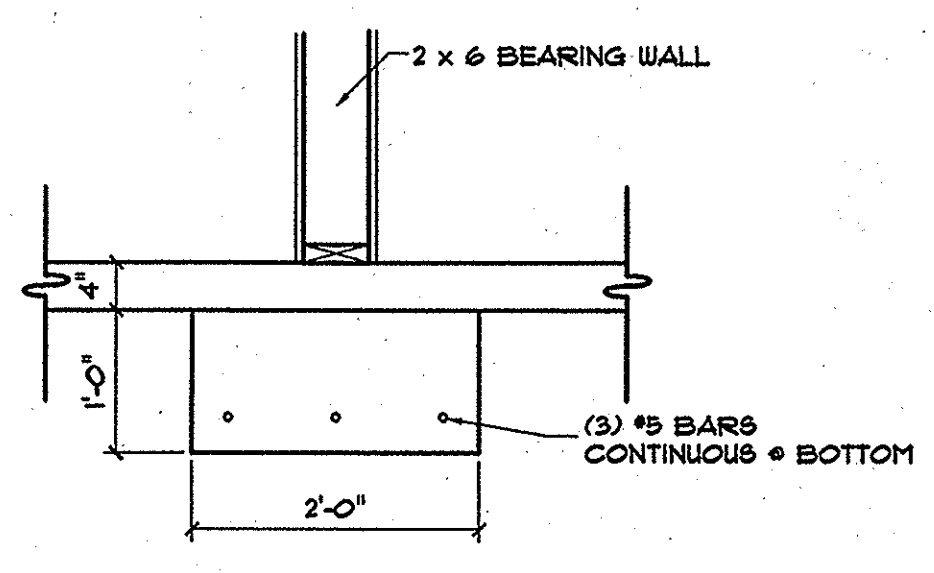
**DETAIL 3**  
 SCALE: 1/2" = 1'-0"



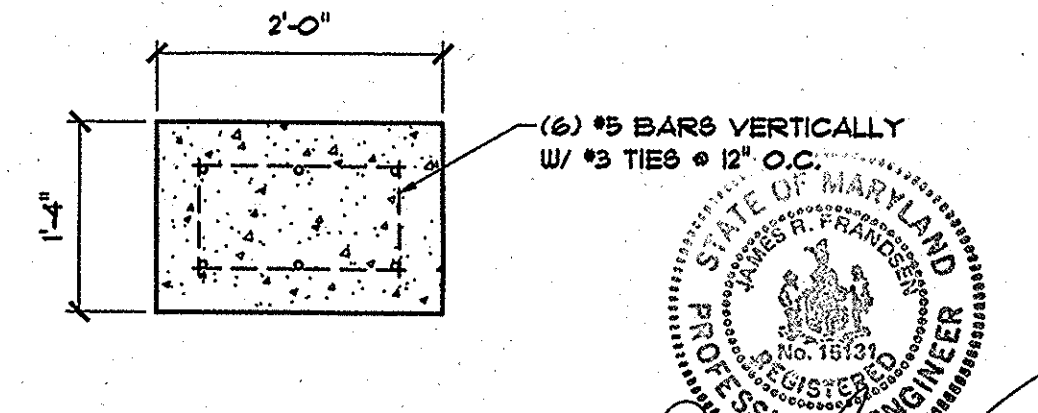
**DETAIL 4**  
 SCALE: 1/2" = 1'-0"



**REBAR OPTIONS**  
 N.T.S.



**DETAIL 6**  
 SCALE: 3/4" = 1'-0"



**DETAIL 5**  
 SCALE: 3/4" = 1'-0"

REVISIONS NUMBER	DESCRIPTION	DATE	INITIALS
1	CHANGE FLOOR HEIGHT OF PROPOSED	4/23/05	CMC

COPYRIGHT BARDEN & BOGGS/COPY 2004  
 NOTICE: THIS SET OF PLANS AND THE DESIGN CONTAINED HEREIN IS THE PROPERTY OF BARDEN & BOGGS INC. AND MAY NOT BE USED FOR REPRODUCTION OR CONSTRUCTION WITHOUT THE WRITTEN PERMISSION OF BARDEN & BOGGS INC. THE DESIGN SHALL NOT BE USED FOR ANY OTHER PURPOSE WITHOUT THE EXPRESS WRITTEN PERMISSION OF BARDEN & BOGGS INC.

**IMPORTANT NOTICE**  
 THESE DRAWINGS ARE PROVIDED BY BARDEN CHURCH BUILDING SERVICES AS A SERVICE TO THE CLIENT AND ARE NOT TO BE CONSIDERED COMPLETE FOR FINAL DESIGN OR CONSTRUCTION. ALL FEDERAL, STATE, OR LOCAL APPROVALS ARE OBTAINED. THE RESPONSIBILITY OF SECURING THESE APPROVALS RESTS FULLY WITH THE CLIENT AND/OR THEIR CONTRACTOR.

INDEPENDENT DEALER / CONSTRUCTION MANAGER:  
**PROBULL LLC**  
 KENYARGA /  
 DAVE HORVAT

DATE:	SCALE:	DRAWN BY:
2/18/05	AS SHOWN	CMC

CLIENT PROJECT TITLE:	PROJECT LOCATION:	PROJECT:
WALUGH UNITED METHODIST CHURCH ADDITION TO EXISTING	CAMBRIDGE, MD	FOUNDATION PLAN

P.O. box 310 midlothian, newport 14105  
 800-724-0141 fax 716-735-3752 716-735-3732

PROJECT NO:	PROCESSING NO:	DWG NO:
2031.03	50692	A-4

SHEET 5 OF 11