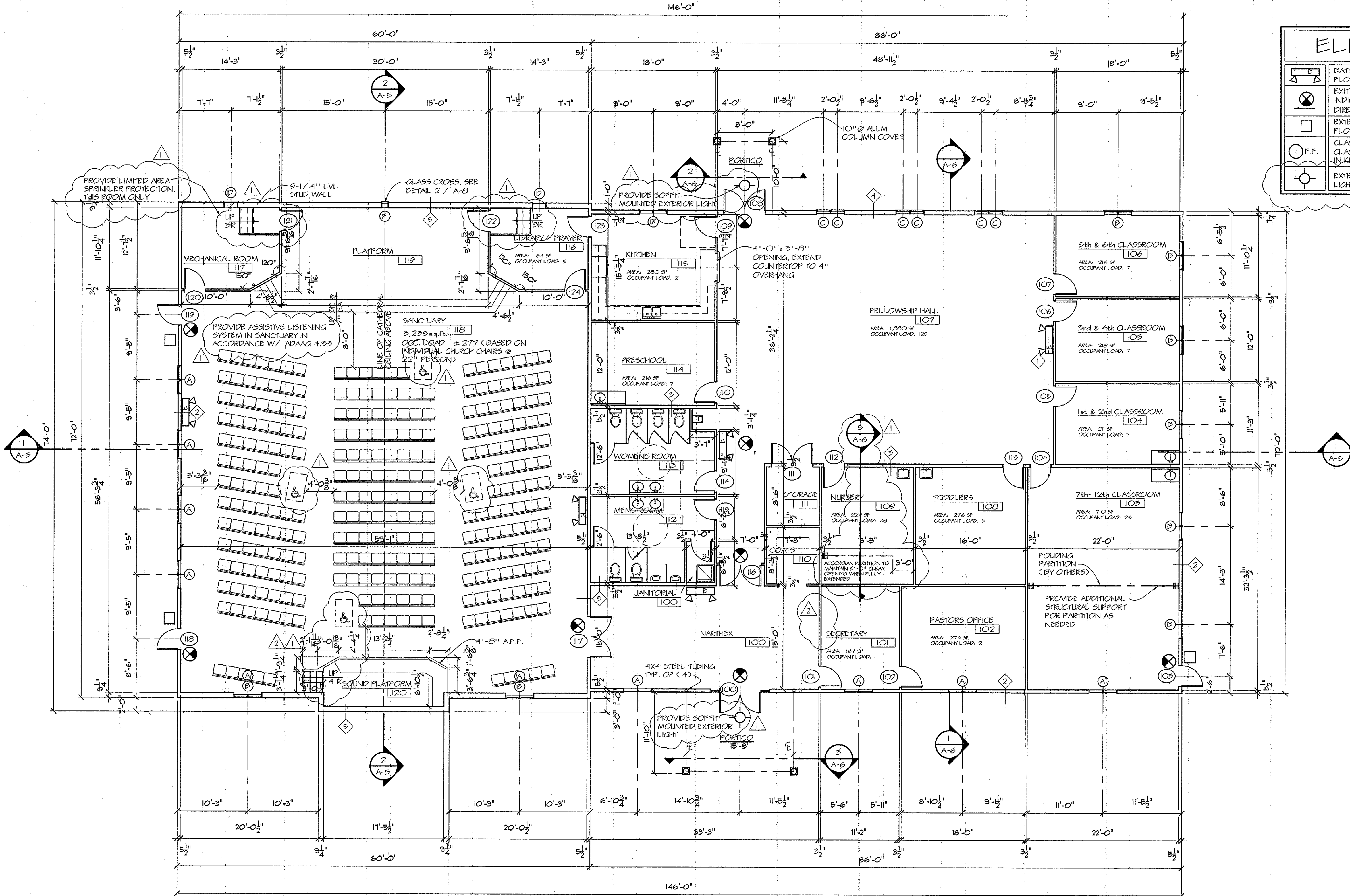
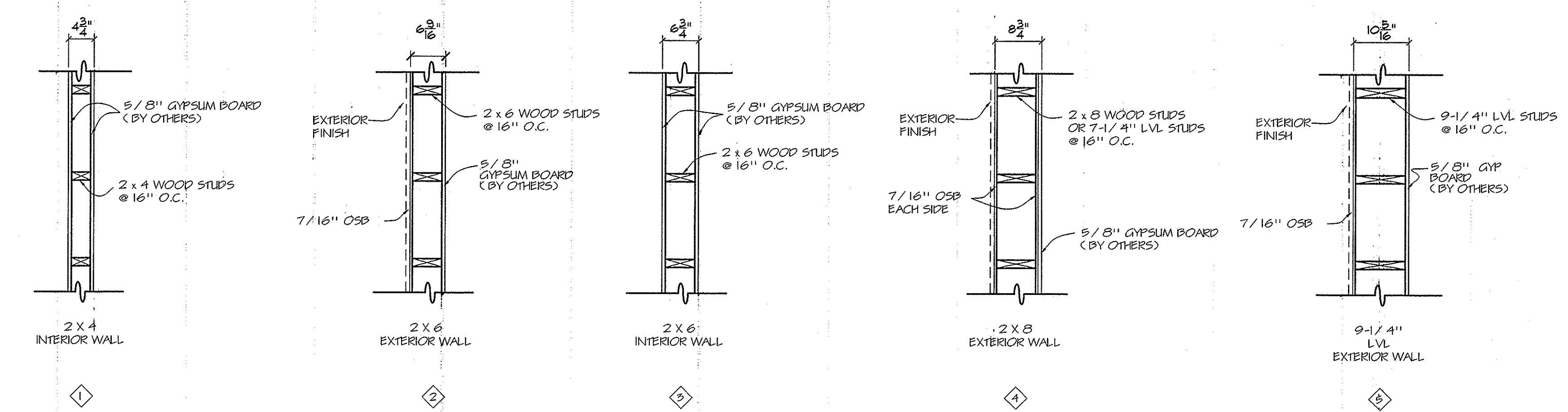


ELECTRICAL LEGEND	
	BATTERY BACK-UP EMERGENCY LIGHT W/ TWIN FLOOD LIGHTS
	EXIT SIGN W/ BATTERY BACKUP. SHADED AREA INDICATES ILLUMINATED FACE(S). ARROW INDICATES DIRECTION OF EXIT
	EXTERIOR WALL MOUNTED EXIT LIGHT
	CLASS 2-A RATED FIRE EXTINGUISHER
	CLASS 10-B RATED FIRE EXTINGUISHER (KITCHEN AREA ONLY)
	EXTERIOR SOFFIT MOUNTED LIGHTS



FLOOR PLAN
 SCALE: 1/8" = 1'-0"



WALL TYPES
 SCALE: 3/4" = 1'-0"

REVISIONS:	NUMBER	DESCRIPTION	DATE	INITIALS
1	PER COMMENTS FROM LR REVIEW (5-18-05)		4/28/05	CM
2	PER EMAIL RECEIVED 7/12/04: DOOR #5112 & 115 - DUTCH. REMOVE WINDOW UNIT E. ADD REBERS 10 SOUNDPROOF		2/19/04	BAS
3	CHANGE BACKWALL @ KITCHEN / FELLOWSHIP HALL. 5TH / 6TH CLASSROOM TO 218		7/21/04	CM

COPYRIGHT BARDEN & ROBERTSON CORP. 2002
 NOTICE: THIS SET OF PLANS AND THE DESIGN CONTAINED HEREIN IS THE PROPERTY OF BARDEN & ROBERTSON CORP. AND MAY NOT BE USED FOR REPRODUCTION OR CONSTRUCTION UNLESS A PROPER CONTRACT HAS BEEN EXECUTED FOR THE PURCHASE OF MATERIALS TO COMPLETE THE DESIGN FROM BARDEN & ROBERTSON CORP. THIS DESIGN SHALL NOT BE USED FOR ANY OTHER PURPOSE WITHOUT THE EXPRESS WRITTEN PERMISSION OF THE BARDEN & ROBERTSON CORP.

IMPORTANT NOTICE
 THESE DRAWINGS ARE PROVIDED BY BARDEN CHURCH BUILDING SERVICES AS A SERVICE TO THE CLIENT AND ARE NOT TO BE CONSIDERED COMPLETE FOR FINAL COSTING OR CONSTRUCTION UNTIL ALL FEDERAL, STATE, OR LOCAL APPROVALS ARE GRANTED. THE RESPONSIBILITY OF SECURING THESE APPROVALS RESTS FULLY WITH THE CLIENT AND/OR THEIR CONTRACTOR.

DEALER / CONSTRUCTION MANAGER:
B & R CONSTRUCTION
 GENE ROTUNDA

DATE:	SCALE:	DESIGNED BY:
2-17-03	AS SHOWN	BAS

CLIENT / PROJECT TITLE:	PROJECT LOCATION:	SHEET:
CORNERSTONE COMMUNITY BAPTIST CHURCH	BRODHEADSVILLE, PA.	FLOOR PLAN

PROJECT NO:
2010.01

PROCESSING NO:
 DWG NO:
A-3
SHEET 5 OF 10