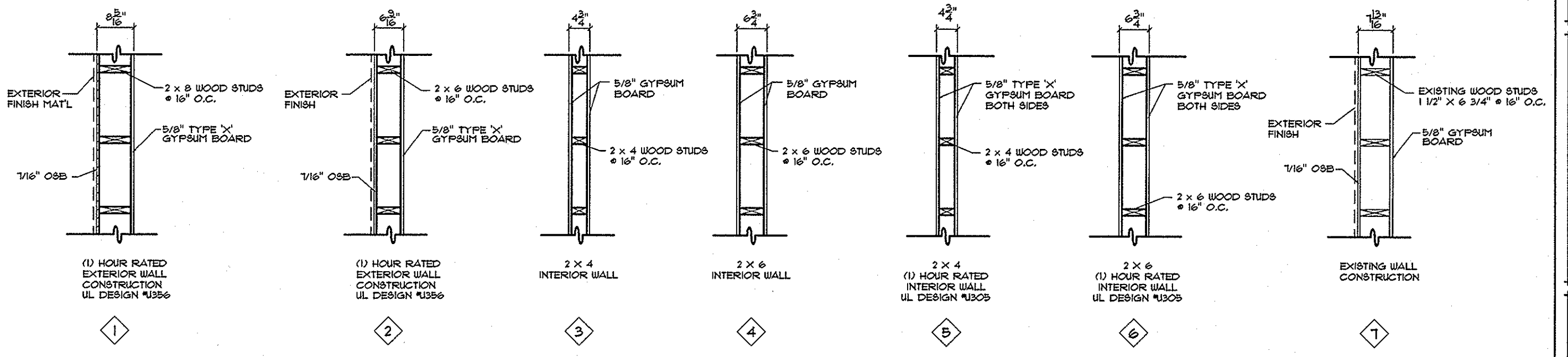


NOTE:  
 CONSTRUCTION MGR TO VERIFY MODEL No.  
 AS SELECTED BY OWNER. ELEVATOR  
 MANUFACTURER TO PROVIDE SHOP  
 DRAWINGS FOR APPROVAL PRIOR TO  
 FOUNDATION WORK AND FRAMING.

RM #	USE	LOAD
B02	MECHANICAL	1
B05	FELLOWSHIP HALL	68
B06	KITCHEN	2
I03	OFFICE	1
I05	SANCTUARY	132
I06	BACKSTAGE	5
I08	GENERAL OFFICE	1
M02	INSTRUMENT ROOM	13
M04	STORAGE	1
M05	STORAGE	1
M06	STORAGE	1
M08	STORAGE	1
M09	STORAGE	1
	TOTAL	228



**WALL TYPES**  
 SCALE: NT6

**FIRST FLOOR PLAN**  
 SCALE: 1/4" = 1'-0"

REVISIONS:	NUMBER	DESCRIPTION	DATE	INITIALS

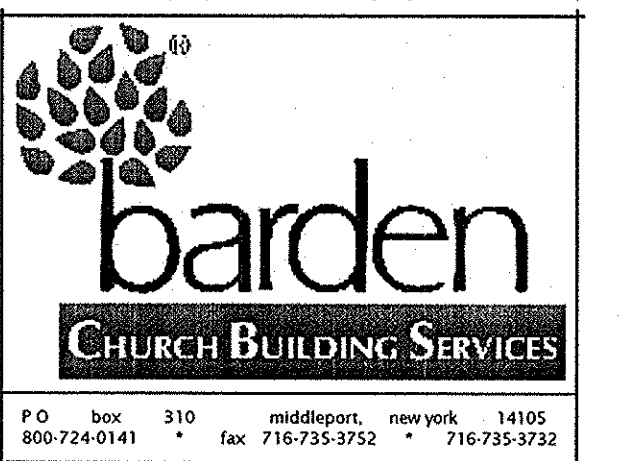
COPYRIGHT BARDEN & ROBESON CORP. 2005.  
 NOTICE: THESE SET OF PLANS AND THE DESIGN CONTAINED HEREIN IS THE  
 PROPERTY OF BARDEN & ROBESON CORP. AND MAY NOT BE USED FOR  
 REPRODUCTION OR TRANSMISSION IN ANY FORM OR BY ANY MEANS  
 WITHOUT THE EXPRESS WRITTEN PERMISSION OF BARDEN &  
 ROBESON CORP.

**IMPORTANT NOTICE**  
 THESE DRAWINGS ARE PROVIDED BY BARDEN CHURCH BUILDING SERVICES  
 AS A SERVICE TO THE CLIENT AND ARE NOT TO BE CONSIDERED COMPLETE  
 FOR FINAL COSTING OR CONSTRUCTION UNTIL ALL FEDERAL, STATE, OR  
 LOCAL APPROVALS ARE OBTAINED. THE RESPONSIBILITY OF OBTAINING  
 THESE APPROVALS RESTS SOLELY WITH THE CLIENT AND/OR THE  
 CONTRACTOR.

INDEPENDENT DEALER / CONSTRUCTION MANAGER:  
 DAVE HORVAT - SALES  
**BOGGART BUILDERS**  
 DAVE BOGGART - CONSTRUCTION MGR

DATE: 3/30/05  
 SCALE: AS SHOWN  
 DRAWN BY: CAM/NMD

CLIENT / PROJECT TITLE:  
**EMANUEL'S HOPE BAPTIST CHURCH  
 ADDITION**  
 PROJECT LOCATION:  
**18-20 WASHINGTON STREET  
 MONTCLAIR, NEW JERSEY 07042**  
 SHEET:  
**FIRST FLOOR PLAN**



PROJECT NO:  
**2033.03**

PROCESSING NO: 50672  
 DWG NO:  
**A-4**  
SHEET 5 OF 11